

The Stowaway

The Stowaway (STW) offers you the option of having a single framed unit to place anywhere within your engine room. Simple to use and easy to install, this workhorse delivers a reliable source of fresh water during your cruises.

Max Production:
33 Gal (126 Lit) / hour*

Benefits

- Standard remote control touchscreen panel included.
- Semi-modular configuration allows flexible installation solutions.
- Emits low levels of noise and vibration during run time.



Photograph courtesy of Nordhavn Yachts

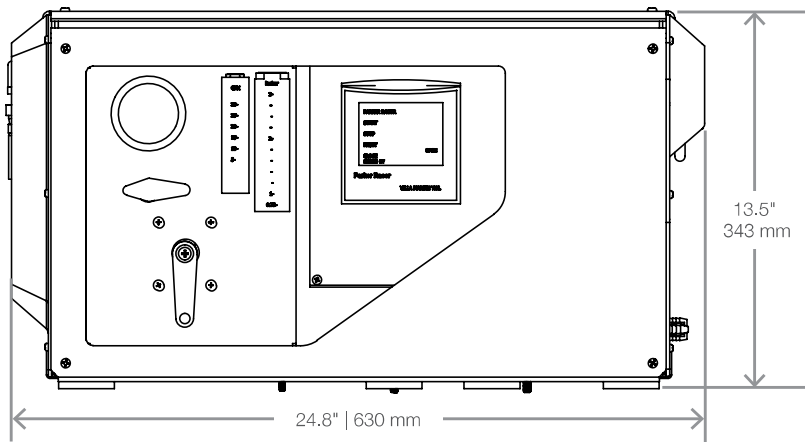
*Highest capacity model (STW-800)



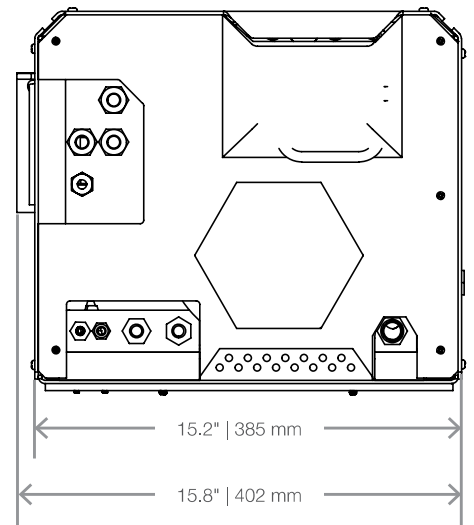
Stowaway system

Stowaway - Specifications | Dimensions

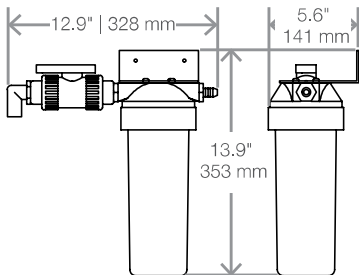
Model Number	Power Volts/Phase/Hertz/Amps	Per Hour	Weight
STW-400	110 / 60 / 13 220 / 60 / 8 230 / 50 / 8	16 gal / 63 Lit	110 lbs / 50 kg
STW-600	110 / 60 / 13 220 / 60 / 8 230 / 50 / 8	25 gal / 95 Lit	116 lbs / 53 kg
STW-800	110 / 60 / 13 220 / 60 / 8 230 / 50 / 8	33 gal / 126 Lit	135 lbs / 61 kg



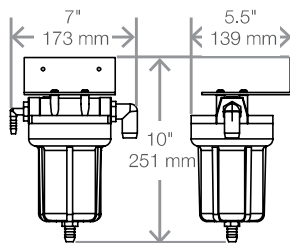
Front View



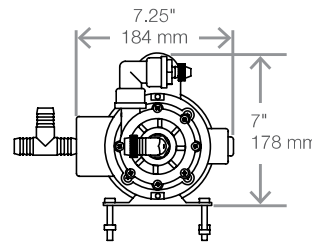
Right Side View



Pre-Filter Assembly



Air Oil Separator



Booster Pump

