

LTM Series Modular Watermakers

500 - 1,800 GPD
1,900 - 6,800 LPD



For Sail Boat and Fishing Vessel Applications

The LTM Series offers high quality Parker Village Marine engineered components with straightforward manual operation. Driven by AC motors (from genset power), the modular configuration comes in ready to mount modules for flexible installation options. Integral to every LTM unit is a control manifold, which includes a regulator and bypass valve.



Village Marine LTM-500

Contact Information:

Parker Hannifin Corporation
Filtration Group-Parker Village Marine
2630 E. El Presidio Street
Carson, CA 90810

Phone: 310 608 5600

Fax: 310 608 5692

Email sales:

waterpurification@parker.com

Tech support:

watertech@parker.com

www.villagemarine.com

www.parker.com/watermakers

Key Feature:

Optional salinity monitor and diversion valve system for water quality assurance.

Salinity monitor and diversion valve

P/N 90-0115 110V 500-800 GPD

P/N 90-0116 220V 500-800 GPD

P/N 90-0127 220V 1000-1300 GPD



ENGINEERING YOUR SUCCESS.

LTM Series

500 - 1,800 GPD

1,900 - 6,800 LPD

Standard Features:

- Available for 110/1/60, 220/1/60, 230/1/50, 230/3/50, or 460/3/60 power supplies as shown

- Powder coated mounting brackets included
- 5 micron cleanable prefilter
- Control manifold pressure regulator ensures consistent pressure and prevents over or under pressurization of the unit. Adjustable to allow operation in brackish or fresh water
- High quality spiral wound TFC reverse osmosis membranes
- Magnetic drive boost pump
- Stainless steel glycerin filled pressure gauges
- High pressure plunger pump with stainless steel 316 head
- Acrylic flowmeter to monitor production

Model	Part Number	Electrical Supply Volts/Ph/Hz/Amps	Capacity GPH/LPH	Weight lbs./kg
LTM-500	90-6019 90-6047 90-6048 90-6078	110/1/60/18 220/1/60/8 230/1/50/8 230-460/3/50-60/6-4	21/79	92/42
LTM-800	90-6049 90-6050 90-6051 90-6079	110/1/60/18 220/1/60/9 230/1/50/8 230-460/3/50-60/6-4	33/125	100/45
LTM-1000	90-6052 90-6053 90-6080	220/1/60/12 ** 230/1/50/12.5 230-460/3/50-60/8-6.5	42/158	133/60
LTM-1300	90-6054 90-6055 90-6081	220/1/60/12 ** 230/1/50/12.5 230-460/3/50-60/8-6.5	54/205	153/70
LTM-1800	90-6056 90-6076 90-6077	220/1/60/12 ** 380/3/50/7.5 460/3/60/7	75/284	168/76

*Membrane elements are sold separately.

**For 110/50/60/1 please inquire with factory.

Spare Parts

Part No.	Description	Part No.	Description
85-0050	Pump Oil	33-0271	Filter Housing O-Ring (model 1000 and up)
33-0117	5 Micron Filter (up to model 800)	90-2512	Membrane O-Ring Kit
33-0052	5 Micron Filter (model 1000 and up)	40-0241	Salinity Probe
33-0311	Carbon Flush Filter	85-0102	Cleaning Kit
33-0238	Membrane Element	85-0103	Preservation Kit
90-0005	Filter Housing O-Ring (up to model 800)		

To maintain peak performance always use genuine Parker Village Marine replacement parts. We reserve the right to change our specifications or standards without notice.

LTM Series

The LTM delivers a practical and reliable source of fresh water to boaters with high supply demands. The LTM gives you absolute water independence for various leisures such as extended voyages, ocean crossings, or fishing.

Max Production:
75 Gal (284 Lit) / hour*

Benefits

- Top mount membrane option for 400 & 600 models
- Semi-modular frame allows flexible installation options.
- Ideal for extended cruises or voyages.



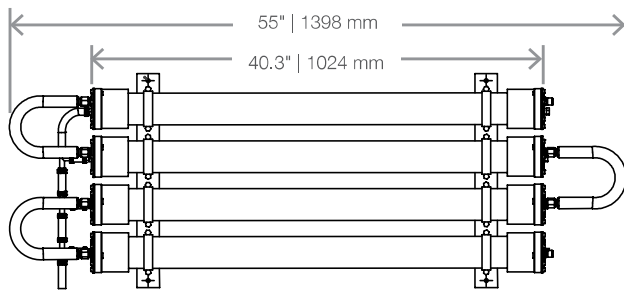
*Highest capacity model (LTM-1800)



LTM system

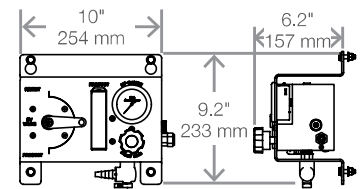
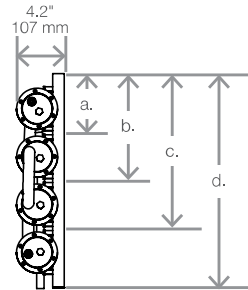
LTM - Specifications | Dimensions

Model Number	Power Volts/Phase/Hertz/Amps	Per Hour	Weight
LTM-500	110 / 1 / 60 / 18 220 / 1 / 60 / 8 230 / 1 / 50 / 8	21 gal / 79 Lit	92 lbs / 42 kg
LTM-800	110 / 1 / 60 / 18 220 / 1 / 60 / 9 230 / 1 / 50 / 8	33 gal / 125 Lit	100 lbs / 45 kg
LTM-1000	220 / 1 / 60 / 12 230 / 1 / 50 / 12.5	42 gal / 158 Lit	133 lbs / 60 kg
LTM-1300	220 / 1 / 60 / 12 230 / 1 / 50 / 12.5	54 gal / 205 Lit	153 lbs / 70 kg
LTM-1800	220 / 1 / 60 / 12	75 gal / 284 Lit	168 lbs / 76 kg

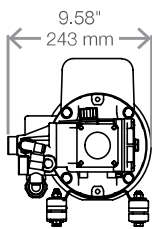


Membrane Assembly

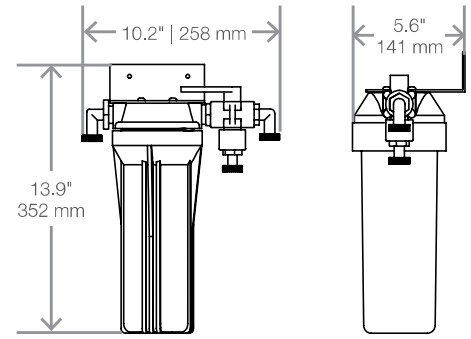
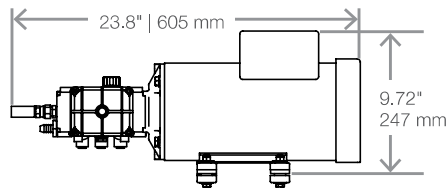
a. LTM-500: 6" | 152mm, b. LTM-800/LTM-1000: 9.75" | 248mm,
c. LTM-1300: 15.25" | 387mm, d. LTM-1800: 19" | 483mm



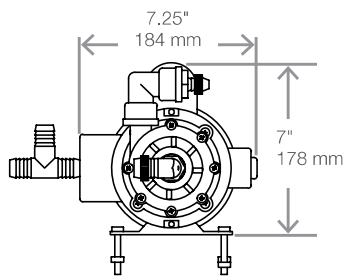
System Manifold - profile



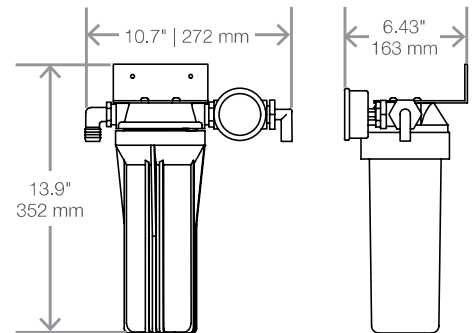
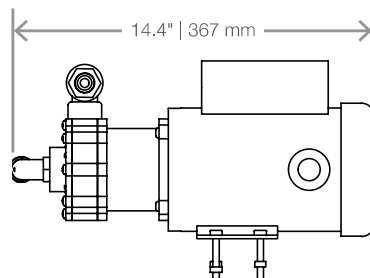
High Pressure Pump



Fresh Water Flush



Booster Pump



Pre-Filter