

Commercial Pure Water Series

PW 3000-20000 GPD
(11-75 m³/day)



For Commercial Marine Applications

The Pure Water Series (PW) reverse osmosis desalination systems are the preferred choice of reliable fresh water generating equipment for the most demanding marine operators (such as major oil companies, The United States Navy, The United States Coast Guard and The Cousteau Society). Thousands of PW installations have proven the performance and longevity under the most rugged conditions.



Racor Village Marine
PW-3000

Contact Information:

Parker Hannifin Corporation
Racor Division/Village Marine Tec.
2630 E. El Presidio Street
Carson, CA 90810

phone 310 516 9911
fax 310 538 3048
racor@parker.com
www.villagemarine.com

www.parker.com/racor



Key Features:



Titanium Head Pump

At the core of each PW series watermaker is the Aqua Pro 3 or 5 plunger titanium high pressure pump.



PWM-16000

Modular configuration allows freedom to install components where space permits, and the modules are small enough to fit through hatchways for installation.

ENGINEERING YOUR SUCCESS.

Commercial Pure Water Series

3000-20000 GPD
(11-75 m³/day)

Standard Features:

- Stainless steel 316 pre-filtration housings deliver 200 sq. ft. of filtering area
- Stainless steel, glycerin filled pressure gauges accurately read pressure at filters, pump and product
- Stainless steel 316 high pressure valve allows bypass for start-up and low pressure flushing without readjustment of regulating valve
- Automatic valve diverts water to discharge if water quality drops below acceptable standards
- Digital water quality monitor displays ppm of total dissolved solids of product water output. Also displays temperature and total hours for accurate service logs
- Freshwater flush system extends life of membranes without use of preservatives
- Optional multi-media filter for operations in turbid seas
- Optional explosion proof rating

Model	Part Number	Power Volts/Ph/Hz/Amps	Capacity GPH-m ³ /LPH	Dimensions WxDxH inch/cm	Weight lbs/kg
PW-3000	90-8654	220/1/60/53	125/11	84/213x34/86x35/89	800/364
	90-8206	380/3/50/17			
	90-8236	440/3/60/17			
PWM-3000	90-8653	440/3/60/17		MODULAR	
PW-4000	90-8262	220/1/60/53	167/15	84/213X34/86X35/89	900/409
	90-8243	380/3/50/17			
	90-8240	440/3/60/17			
PWM-4000	90-8655	440/3/60/17		MODULAR	
PW-5000	90-8656	380/3/50/24	208/20	84/213X34/86X35/89	1000/455
	90-8599	440/3/60/22			
	90-8257	440/3/60/22			
PWM-5000	90-8257	440/3/60/22		MODULAR	
PW-6000	90-8070	380/3/50/24	250/25	84/213X44/111X35/89	1050/477
	90-8657	440/3/60/22			
	90-8261	440/3/60/22			
PWM-6000	90-8261	440/3/60/22		MODULAR	
PW-7000	90-8659	380/3/50/24	292/27	84/213X48/121X35/89	1500/682
	90-8245	440/3/60/22			
	90-8658	440/3/60/22			
PWM-7000	90-8658	440/3/60/22		MODULAR	
PW-8000	90-8214	380/3/50/28	333/30	84/213X48/121X35/89	1600/727
	90-8203	440/3/60/27			
	90-8660	440/3/60/27			
PWM-8000	90-8660	440/3/60/27		MODULAR	
PW-10000	90-8051	380/3/50/28	417/40	84/213X48/121X35/89	1800/818
	90-8073	440/3/60/27			
	90-8661	440/3/60/27			
PWM-10000	90-8661	440/3/60/27		MODULAR	
PW-12000	90-8258	380/3/50/37	500/45	88/223X52/132X35/89	1900/864
	90-8284	440/3/60/33			
	90-8662	440/3/60/33			
PWM-12000	90-8662	440/3/60/33		MODULAR	
PW-16000	90-8075	380/3/50/37	667/61	88/223X52/132X43/109	2200/1000
	90-8193	440/3/60/33			
	90-8126	440/3/60/33			
PWM-16000	90-8126	440/3/60/33		MODULAR	
PW-20000	90-8232	380/3/50/43	833/75	88/223X52/132X43/109	2250/1022
	90-8542	440/3/60/39			
	90-8663	440/3/60/39			
PWM-20000	90-8663	440/3/60/39		MODULAR	

Spares and Consumable Parts

Part No.	Description	Part No.	Description
33-5100	Filter Element - 5 micron	70-3075	Pump FE Kit, PW-8000 & up
33-2100	Filter Element, 20 micron	70-0624	Pump CC Kit, up to PW-7000
30-0405	Filter Housing O-Ring	70-3078	Pump CC Kit, PW-8000 & up
33-0315	Carbon Filter - up to PW-7000	90-2323	Membrane O-Ring Kit, Up to PW-6000
33-0083	Carbon Filter - PW-8000 & up	32-1016	Membrane O-Ring Kit, PW-7000 & up
70-1448	Drive Belt - up to PW-7000	20-4100	Salinity Probe
70-1440	Drive Belt PW-8000 & up	85-0045	Membrane Cleaner #1, 25 lbs
85-0050	Pump Oil, Quart	85-0048	Membrane Cleaner #2, 25 lbs
70-0623	Pump FE Kit, up to PW-7000	85-0049	Membrane Preservative, 25 lbs

To maintain peak performance always use genuine Parker-Racor/Village Marine Tec. replacement parts. We reserve the right to change our specifications or standards without notice.



PW - Pure Water Series

The Pure Water (PW) operates continuously and withstands the most rugged conditions. The Pure Water is not only capable of delivering industrial amounts of fresh water, but it also delivers superior performance and an extended service life.

Max Production:
2,000 Gal (7.6 m³) / day*

Benefits

- Operates continuously, capable of 24/7 production.
- Large production capacity with small footprint
- Framed, semi modular, and modular configuration options provides flexible installation solutions.



Photograph courtesy of Nordhavn Yachts

*Highest capacity model (PW-2000)

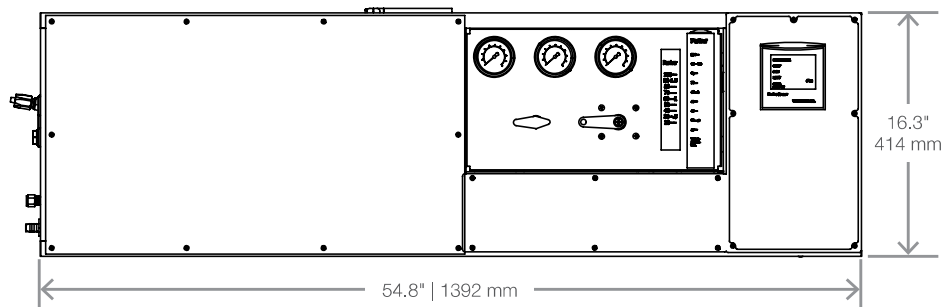


Pure Water (PW) system

Pure Water - Specifications | Dimensions

Model	Power Volts/Phase/Hertz/Amps	Capacity GPH-m ³ / D	Weight lbs.
PW-400	110 / 1 / 60 / 13 220 / 1 / 60 / 8 220 / 3 / 60 / 6 230 / 1 / 50 / 8 380 / 3 / 50 / 3 440 / 3 / 60 / 3	1.7 - 1.5	225 lbs / 102 kg
PW-600	110 / 1 / 60 / 21 220 / 1 / 60 / 11 220 / 3 / 60 / 7 230 / 1 / 50 / 11 380 / 3 / 50 / 4 440 / 3 / 60 / 4	25 - 2.3	350 lbs / 159 kg
PW-800	220 / 1 / 60 / 17 220 / 3 / 60 / 11 230 / 1 / 50 / 15 380 / 3 / 50 / 6 440 / 3 / 60 / 6	34 - 3.0	350 lbs / 159 kg
PW-1200	220 / 1 / 60 / 17 220 / 3 / 60 / 11 230 / 1 / 50 / 15 380 / 3 / 50 / 6 440 / 3 / 60 / 6	50 - 4.5	400 lbs / 182 kg
PW-1600	220 / 1 / 60 / 19 220 / 3 / 60 / 16 230 / 1 / 50 / 25 380 / 3 / 50 / 8 440 / 3 / 60 / 8	67 - 6.0	425 lbs / 193 kg
PW-2000	220 / 1 / 60 / 19 220 / 3 / 60 / 16 230 / 1 / 50 / 25 380 / 3 / 50 / 8 440 / 3 / 60 / 8	84 - 7.6	450 lbs / 205 kg

Front View



Profile View

