

Pure Water Series

400-2000 GPD
(1.5-7.5 m³/day)



For Commercial Marine Applications

The Pure Water (PW) Series is designed to provide installation flexibility, superior performance, and extended service life in the most rugged conditions.

Designed for 24/7, continuous duty applications, where reliable fresh water supply is critical.



Village Marine PW 400-2000

Contact Information:

Parker Hannifin Corporation
Filtration Group-Parker Village Marine
2630 E. El Presidio Street
Carson, CA 90810

Phone: 310 608 5600

Fax: 310 608 5692

Email sales:

waterpurification@parker.com

Tech support:

watertech@parker.com

www.villagemarine.com

www.parker.com/watermakers

Standard Features:

- Monel mesh strainer and dual sediment prefilters.
- Maintenance-free air/oil separator allows operation while underway.
- Low RPM five plunger titanium pump for minimum vibration and noise with unsurpassed corrosion resistance.
- Magnetic drive low pressure pump provides up to 10 psi of boost pressure to the filtration system. No mechanical seal to reduce maintenance requirement.
- Stainless steel, glycerin filled pressure gauges.
- Freshwater flush system is added as either manual flush or optional automatic flush.



ENGINEERING YOUR SUCCESS.

Pure Water Series

400-2000 GPD (1.5-7.5 m³/day)

Standard Features (cont.):

- Adjustable 316 SS pressure regulating valve allows use in fresh, brackish or seawater.
- Easy to operate 316 SS high pressure bypass valve controls the operating mode and allows high pressure bypass for start-up and low pressure flushing without readjustment of regulating valve.

Model	Part Number	Power Volts / phase / Hertz / Amps	Capacity GPH-m ³ / D	Dimensions W x D x H inch (cm)	Weight lbs. / kg
PW-400	90-8633	110 / 1 / 60 / 13	17-1.5	27 (69) x 24 (61) x 16 (41)	225/102
	90-8217	220 / 1 / 60 / 8			
	90-8513	220 / 3 / 60 / 6			
	90-8036	230 / 1 / 50 / 8			
	90-8238	380 / 3 / 50 / 3			
	90-8037	440 / 3 / 60 / 3			
PW-600	90-8125	110 / 1 / 60 / 21	25-2.3	54 (137) x 24 (61) x 16 (41)	350/159
	90-8006	220 / 1 / 60 / 11			
	90-8223	220 / 3 / 60 / 7			
	90-8636	230 / 1 / 50 / 11			
	90-8635	380 / 3 / 50 / 4			
	90-8634	440 / 3 / 60 / 4			
PW-800	90-8028	220 / 1 / 60 / 17	34-3.0	54 (137) x 24 (61) x 16 (41)	350-159
	90-8637	220 / 3 / 60 / 11			
	90-8047	230 / 1 / 50 / 15			
	90-8638	380 / 3 / 50 / 6			
	90-8292	440 / 3 / 60 / 6			
PW-1200	90-8038	220 / 1 / 60 / 17	50-4.5	54 (137) x 24 (61) x 16 (41)	400-182
	90-8210	220 / 3 / 60 / 11			
	90-8606	230 / 1 / 50 / 15			
	90-8212	380 / 3 / 50 / 6			
	90-8040	440 / 3 / 60 / 6			
PW-1600	90-8600	220 / 1 / 60 / 19	67-6.0	54 (137) x 28 (81) x 16 (41)	425/193
	90-8603	220 / 3 / 60 / 16			
	90-8601	230 / 1 / 50 / 25			
	90-8017	380 / 3 / 50 / 8			
	90-8604	440 / 3 / 60 / 8			
PW-2000	90-8554	220 / 1 / 60 / 19	84-7.6	54 (137) x 28 (81) x 16 (41)	450/205
	90-8039	220 / 3 / 60 / 16			
	90-8597	230 / 1 / 50 / 25			
	90-8598	380 / 3 / 50 / 8			
	90-8011	440 / 3 / 60 / 8			

Spares and Consumables

Part No.	Description	Part No.	Description
85-0050	Pump Oil	33-0271	O-Ring, Flush Housing (models 800+)
33-0005	Prefilter Element, 5 micron	33-2519	Membrane (model 400)
33-0020	Prefilter Element, 20 micron (models 800+)	33-0238	Membrane (models 600+)
33-0311	Flush Filter (models 400, 600)	90-2512	O-Ring Kit, Membrane Housing
33-0315	Flush Filter (models 800+)	90-0562	Clean and Preservation Kit
30-0040	Strainer Element	70-6184	HP Pump Service Kit
30-0405	O-Ring, Prefilter Housing	20-4096	Salinity Probe
90-0005	O-Ring, Flush Housing (models 400, 600)	20-0005/20-2001/20-0243	Fuses (1 of each)

To maintain peak performance always use genuine Parker/Village Marine replacement parts.
We reserve the right to change our specifications or standards without notice.

PW - Pure Water Series

The Pure Water (PW) operates continuously and withstands the most rugged conditions. The Pure Water is not only capable of delivering industrial amounts of fresh water, but it also delivers superior performance and an extended service life.

Max Production:
2,000 Gal (7.6 m³) / day*

Benefits

- Operates continuously, capable of 24/7 production.
- Large production capacity with small footprint
- Framed, semi modular, and modular configuration options provides flexible installation solutions.



Photograph courtesy of Nordhavn Yachts

*Highest capacity model (PW-2000)

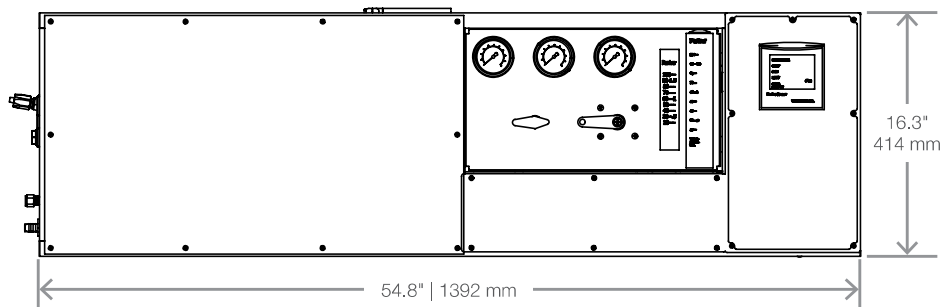


Pure Water (PW) system

Pure Water - Specifications | Dimensions

Model	Power Volts/Phase/Hertz/Amps	Capacity GPH-m ³ / D	Weight lbs.
PW-400	110 / 1 / 60 / 13 220 / 1 / 60 / 8 220 / 3 / 60 / 6 230 / 1 / 50 / 8 380 / 3 / 50 / 3 440 / 3 / 60 / 3	1.7 - 1.5	225 lbs / 102 kg
PW-600	110 / 1 / 60 / 21 220 / 1 / 60 / 11 220 / 3 / 60 / 7 230 / 1 / 50 / 11 380 / 3 / 50 / 4 440 / 3 / 60 / 4	25 - 2.3	350 lbs / 159 kg
PW-800	220 / 1 / 60 / 17 220 / 3 / 60 / 11 230 / 1 / 50 / 15 380 / 3 / 50 / 6 440 / 3 / 60 / 6	34 - 3.0	350 lbs / 159 kg
PW-1200	220 / 1 / 60 / 17 220 / 3 / 60 / 11 230 / 1 / 50 / 15 380 / 3 / 50 / 6 440 / 3 / 60 / 6	50 - 4.5	400 lbs / 182 kg
PW-1600	220 / 1 / 60 / 19 220 / 3 / 60 / 16 230 / 1 / 50 / 25 380 / 3 / 50 / 8 440 / 3 / 60 / 8	67 - 6.0	425 lbs / 193 kg
PW-2000	220 / 1 / 60 / 19 220 / 3 / 60 / 16 230 / 1 / 50 / 25 380 / 3 / 50 / 8 440 / 3 / 60 / 8	84 - 7.6	450 lbs / 205 kg

Front View



Profile View

