

MaxStream Series Diesel Slip-On Pumps

HPX100-LD23



Features and Benefits

- *High pressure capabilities up to 325 PSI*
- *Configured for easy installation by truck builders*
- *Complete with ESP Primer*
- *Superior performance — High pump efficiency*
- *Lombardini LDW903 series 23 HP diesel engine*
- *Low vibration/low noise — Smooth quiet operation*

The HPX100-LD23 diesel pump has been developed especially for high pressure applications. This pump is ideal for permanently mounted pump and roll, booster reels, or long lays of small diameter hose.

The HPX100-LD23 series comes complete with a 12-volt electric start ignition system. The fuel connections make it easy to use the vehicles diesel tank for increased run time. The suction connection is a 2-inch FNPT connection and the discharge is a 1-1/2 inch FNPT connection for maximum efficiency in OEM or field installation.

The HPX100-LD23 is an ideal product for OEM installation. The pump is equipped for remotely connected throttle and stop controls.



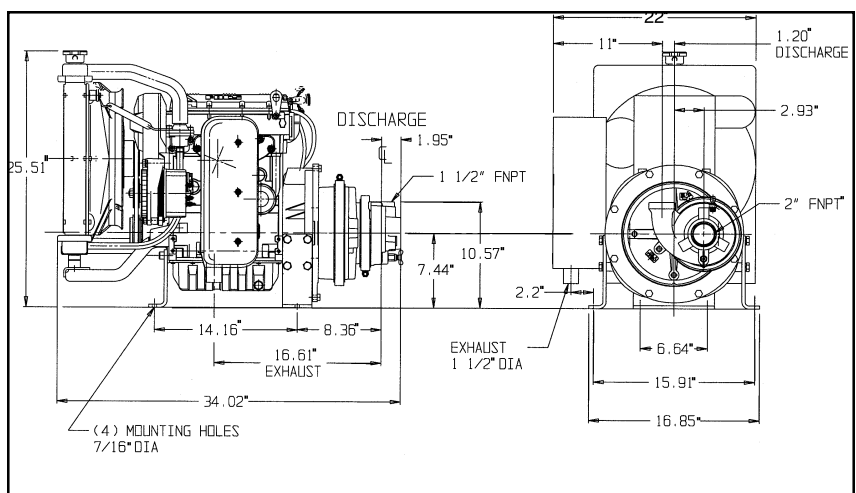
900 GPM @ 25 PSI
500 GPM @ 195 PSI

200 GPM @ 150 PSI
50 GPM @ 175 PSI

The pump volute and gearbox are a high strength aluminum alloy. A bronze impeller, replaceable bronze clearance rings and a self-adjusting, self-lubricating mechanical seal provide long life and low maintenance operation. The priming port is located directly above the eye of the impeller for

fast and efficient priming.

Every detail and feature of the HPX100-LD23 pump has been carefully designed and built for years of operation



Equipment Specifications

Suction Connection: 2 inch NPT female
Discharge Connection: 1-1/2 inch NPT female
Head and Volute: Aluminum
Impeller: Bronze
Pump Shaft: Stainless steel
Bearing: Ball
Priming: 12-Volt ESP Electric Primer
Maximum Flow: 155 GPM (507 LPM) @ 50 PSI (3.5 bar)
Maximum Pressure: 325 PSI (22.5 bar)
Length: 34 inches (864 mm)
Width: 22 inches (558 mm)
Height: 26.5 inches (648 mm)
Weight: 295 lbs.. (134 kg)

Instrumentation

Equipped for remote throttle and stop.
 Complete with remote key switch.
 Warning lamps
 Low oil pressure warning light
 Automatic glow plug controls

Available Options

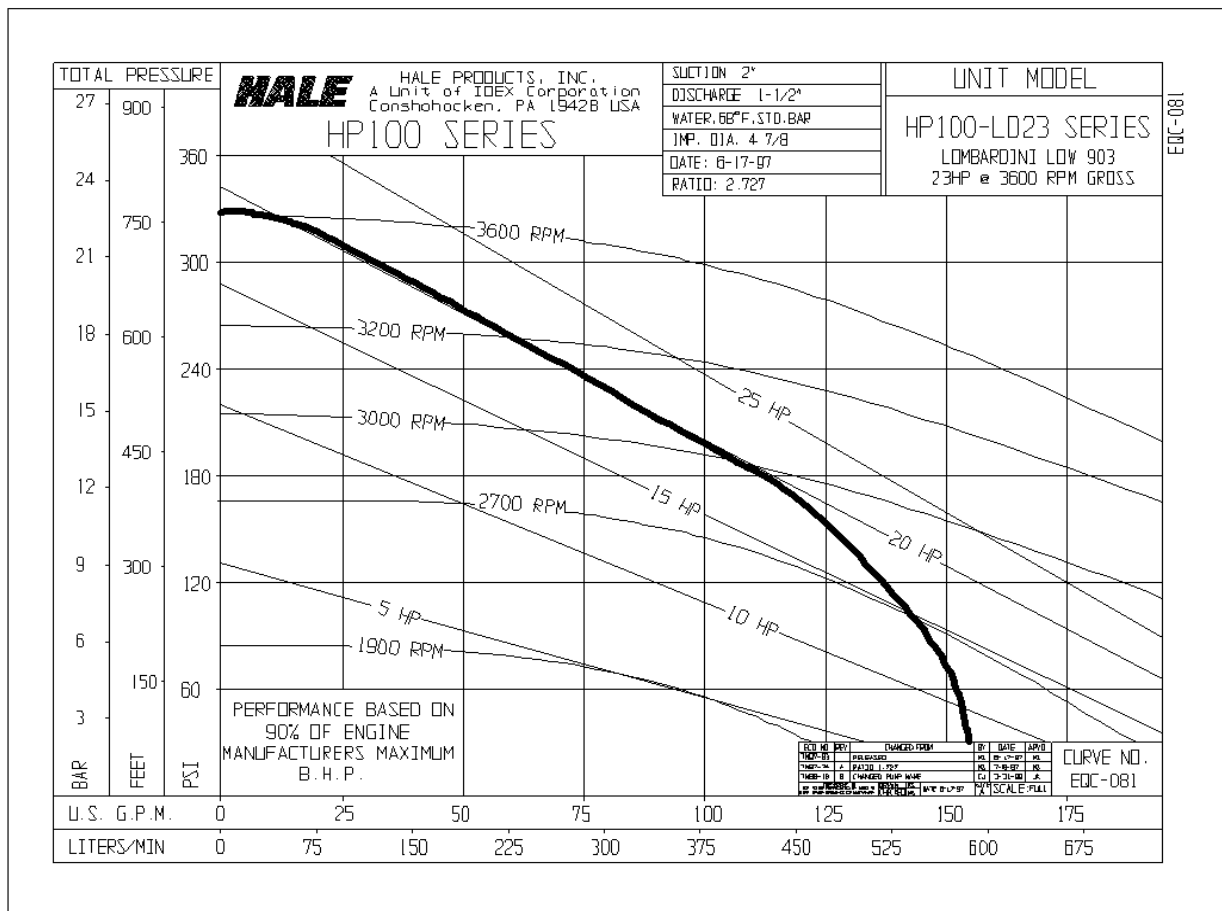
Suction adapters
 Discharge adapters
 Hourmeter

ENGINE

Make: Lombardini LDW903 Series
Type: 3-cylinder liquid cooled diesel engine
Horsepower: 23 HP @ 3600 RPM

Cooling: Radiator/liquid cooled

Lubrication: Forced
Starting: 12-Volt Electric
Valves Guides: Replaceable
Cylinder: Pearlitic cast iron
Governor: Mechanical
Air Cleaner: Dry type
Other Features:
 Low oil pressure and high engine temperature shutdown
 45AMP Alternator
 12-volt charging system
 Overhead camshaft



Hale Products Inc.
 A Unit of IDEX Corporation
 700 Spring Mill Avenue
 Conshohocken, PA 19428
 Tel: 610/825-6300
 Fax: 610/825-6440
www.haleproducts.com

Hale Products Europe
 Charles Street
 Warwick, CV34 5LR
 England
 TEL: (44) 01926 623600
 FAX: (44) 01926 623666
www.haleeurope.com

Hale Products Europe GmbH
 Industriegebiet-Nord
 Benzstrasse 4
 64807 Dieburg, Germany
 TEL: (49) 06071 /92665
 FAX: (49) 06071 /926677

Note: Hale Products Inc. cannot assume responsibility for product failure resulting from improper maintenance or operation. Hale is responsible only to the limits stated in the product warranty. Product specifications contained in this material are subject to change without notice.
 Bulletin #712 Rev 3 9/01 © 2001, Hale Products Inc.

MADE IN THE USA

