

Generator Panel



MGC921 Series

- Available in Manual or Auto Start
 - 12 or 24 VDC Battery Voltage
 - Single Phase or 3-Phase
- Compact
- Full Featured

Description

The MGC921 provides economical engine and generator control for applications not requiring NFPA-99 or NFPA-110 approval. Models are available for Manual or Automatic start designed for 3-phase, 4-wire or 1-phase, 3-wire generators. Models MGC921 feature mechanical SWICHGAGE®s for engine oil and coolant temperature. Models MGC921E feature EGS electric SWICHGAGE®s. The panels are housed in a 13 x 10 x 11 in. (330 x 254 x 279 mm) shock mounted NEMA 1 drip-proof enclosure. Current transformers (CT's) are not included.

Features

- **Auto-Start Panel** includes the following features.
 - ASM150, auto-start controller with:
 - Optically-isolated noise resistant inputs.
 - Outputs for fault annunciator.
 - Crank/rest cycle timer, 4 to 25 sec. adjustable.
 - Shutdown time delay, 1 to 25 seconds (adjustable), locks out low oil pressure and high temperature on start-up.
 - Crank disconnect and overspeed sensing operates from a magnetic pickup signal (requires 2 Vrms minimum).
 - Auxiliary starter relay. Contact rating: 12 volt, 40 amp/24 volt 16 amp.
 - Oil pressure SWICHGAGE®, 2-1/16 in. (52 mm) dial, 0-100 psi (0-689 kPa) [6.89 bar].
 - Temperature SWICHGAGE®, 2-1/16 in (52 mm) dial, 130-250°F (54-121°C), 12 ft. (3.7 m) capillary.
 - TEST-OFF-AUTO selector switch.
 - Two 2-1/16 in. (52 mm) dia. holes, plugged.

- **Manual Start Panel** includes the following features.

- Power OFF-ON toggle switch and start push button.
- 518APH TATTLETALE® annunciator.
- Auxiliary starter relay. Contact rating: 12 volt, 40 amp/24 volt 16 amp.
- Oil Pressure SWICHGAGE®, 2 in (51 mm) dial, 0-100 psi (0-689 kPa) [6.89 bar].
- Temperature SWICHGAGE®, 2 in (51 mm) dial, 130-250°F (54-121°C), 12 ft. (3.7 m) capillary.
- Two (2) 2-1/16 in. (52 mm) diameter holes, plugged.

■ AC meters

- AC voltmeter, 3-1/2 in. (89 mm) dial, ±2% full scale (specify range: 300 V or 600 V).
- AC ammeter, 3-1/2 in. (89 mm) dial, ±2% full scale (specify range: 50 to 4000 A).
- AC frequency meter, 120 V, 3-1/2 in. (89 mm) dial, ±0.6% Hz, 45-65 Hz.
- Frequency meter rheostat.

Options

- AC ammeter-voltmeter phase selector switch*
Requires 2 additional CTs.
- Hourmeter, 2 in. (51 mm) dial, 5-digit.
- Battery voltmeter, 2 in (51 mm) dial (range determined by battery voltage).
- Battery ammeter, 2 in (51 mm), 60-0-60.

*Standard (included) with 3-phase models.

Specifications

■ Auto-Start Panel

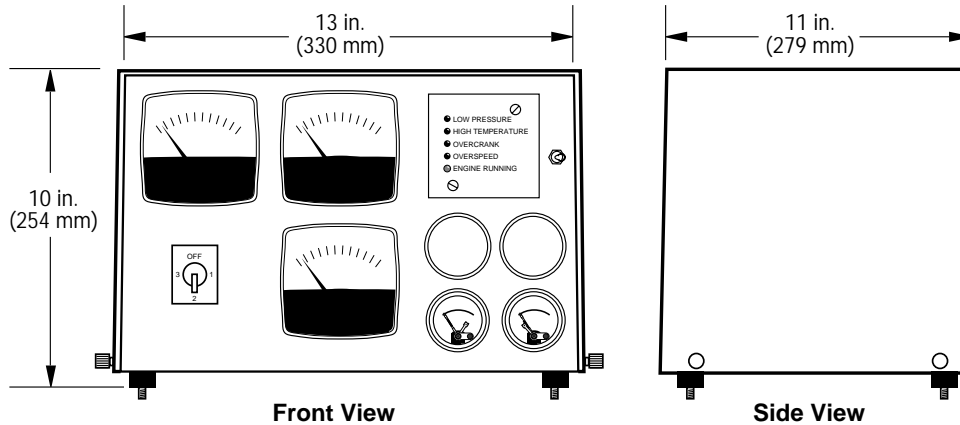
- Power Requirements:
 - 12 VDC battery for 12 V models.
 - 24 VDC battery for 24 V models.
- Inputs: Ground or positive inputs for high temperature or low pressure sensors.
- Outputs:
 - Auxiliary starter relay. Contact rating: 12 volt, 40 amp/24 volt 16 amp.
 - 300 mA transistors for fault annunciation
- Operating Temperature: -4 to 140°F (-20 to 60°C).
- Cycle Crank Timer: Up to 8 attempts.
Recrank on false starts (fixed 30 seconds).
- Crank/Rest Cycle Timing: 4 to 25 seconds (adjustable).
- Shutdown Time Delay: 1 to 25 seconds (adjustable). Locks out low oil pressure and high temperature on start up.
- Crank Disconnect Speed Setting:
From 30 to 8500 Hz.
- Overspeed Trip Point Setting:
From 30 to 8500 Hz.
- Magnetic Pickup Input:
Requires 2 Vrms minimum.

■ Manual Start Panel

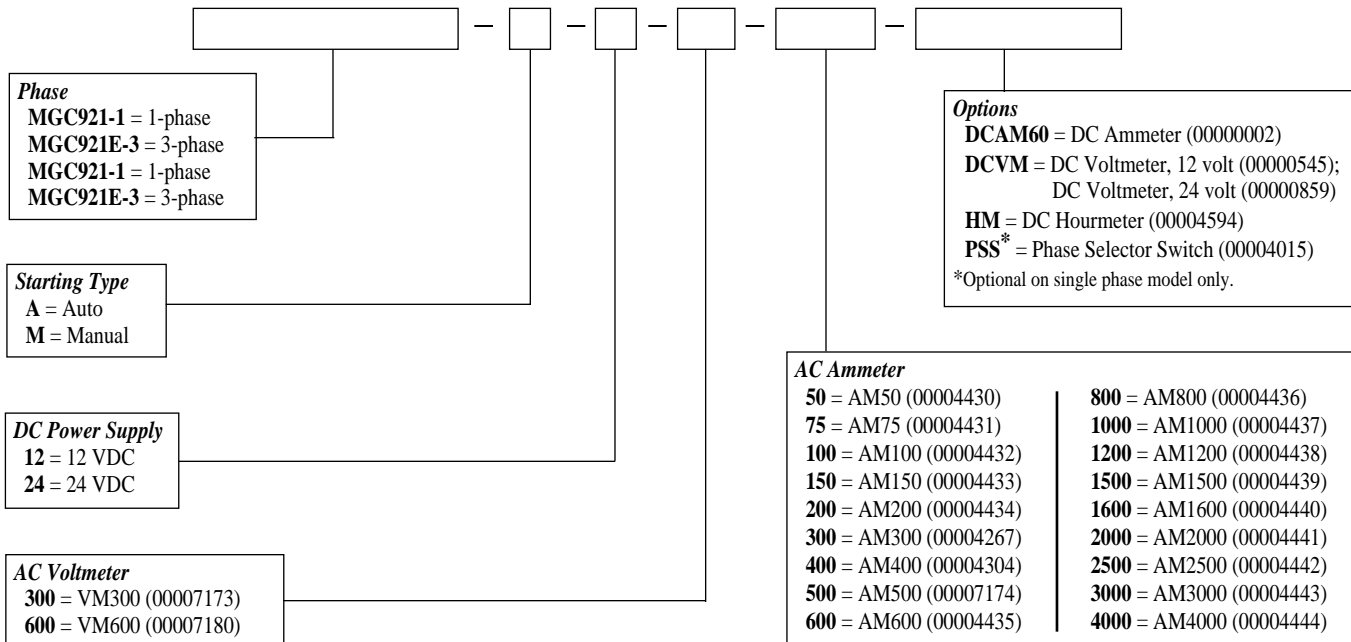
- Power Requirements:
 - 12 VDC battery for 12 V models.
 - 24 VDC battery for 24 V models.
- Operating Temperature: -4 to 140°F (-20 to 60°C).

Dimensions

NOTE: Dimensions below apply to **all** MGC921 Series enclosures.



How to Order



Warranty

A two-year limited warranty on materials and workmanship is given with this Murphy product.
Details are available on request and are packed with each unit.

In order to consistently bring you the highest quality, full featured products, we reserve the right to change our specifications and designs at any time.

FRANK W. MURPHY MANUFACTURER P.O. Box 470248; Tulsa, Oklahoma 74147; USA tel. (918) 627-3550 fax (918) 664-6146 e-mail sales@fwmurphy.com http://www.fwmurphy.com



USA-ISO 9001 FM 28221
UK-ISO 9002 FM 29422

FRANK W. MURPHY MFR.
CONTROL SYSTEMS & SERVICES DIVISION
P.O. Box 1819; Rosenberg, Texas 77471; USA
tel. (281) 342-0297 fax (281) 341-6006
e-mail sales@fwmurphy.com

FRANK W. MURPHY, LTD.
Church Rd.; Laverstock, Salisbury SP1 1QZ; U.K.
tel. +44 1722 410055 fax +44 1722 410088
e-mail sales@fwmurphy.co.uk
http://www.fwmurphy.co.uk

FRANK W. MURPHY FRANCE
tel. +33 1 30 762626 fax +33 1 30 763989

MURPHY DE MEXICO, S.A. DE C.V.
Blvd. Antonio Rocha Cordero 300, Fracción del Aguaje
San Luis Potosí, S.L.P.; México 78384
tel. +52-48-206264 fax +52-48-206336
e-mail ventas@murphymex.com.mx

FRANK W. MURPHY PTE., LTD.
No. 2 Tuas South Street 2,
Sprintec Bldg., #02-01/02
Singapore 638042
tel. +65 863-1398 fax +65 863-0208
e-mail fwmsales@fwmurphy.com.sg

MURPHY SWITCH OF CALIFORNIA
41343 12th Street West
Palmdale, California 93551-1442; USA
tel. (661) 272-4700 fax (661) 947-7570
e-mail sales@murphyswitch.com
http://www.murphyswitch.com

MACQUARRIE CORPORATION
1620 Hume Highway;
Campbellfield, Vic 3061; Australia
tel. +61 3 9358-5555 fax +61 3 9358-5558
e-mail murphy@macquarrie.com.au