

LWM Series Modular Watermaker

145-200 GPD
530-720 LPD



Compact and reliable supply of fresh water. For sailboats and other marine applications.

The Little Wonder (LWM) Series reverse osmosis desalination systems are the preferred choice for boaters who require small low power watermakers.

The units are simple to install and easy to operate. Ideal for applications where space and power are limited. The quality components that go into the LWM units ensure safety and years of reliable service.



Village Marine LWM 145-200

Contact Information:

Parker Hannifin Corporation
Filtration Group-Parker Village Marine
2630 E. El Presidio Street
Carson, CA 90810

Phone: 310 608 5600

Fax: 310 608 5692

Email sales:

waterpurification@parker.com

Tech support:

watertech@parker.com

www.villagemarine.com

www.parker.com/watermakers

Key Feature:

Optional salinity monitor and diversion valve system for water quality assurance.

Salinity monitor and diversion valve

P/N 90-0081 12V

P/N 90-0114 24V

P/N 90-0115 110V

P/N 90-0116 220V



ENGINEERING YOUR SUCCESS.

LWM Series Modular Watermaker

145-200 GPD
530-720 LPD

- Available for 12V, 24V, 110V, 220V power supplies as shown

- 5 micron cleanable prefilter
- Powder coated mounting brackets included
- Control manifold pressure regulator ensures consistent pressure and prevents over or under pressurization of the unit. Adjustable to allow operation in brackish or fresh water
- Acrylic flowmeter to monitor production
- High quality spiral wound TFC reverse osmosis membranes
- Magnetic drive boost pump
- Stainless steel glycerin filled pressure gauges
- High pressure pump impervious to the corrosive sea water environment and designed for maximum efficiency.

Standard Features:

Model	Part Number	Electrical Supply Volts/Ph/Hz/Amps	Capacity GPH/LPH	Weight lbs/kg
LWM-145	90-8200	12 V/15 Amps	6/23	150/68
	90-8622	24V/7.5 Amps	6/23	150/68
LWM-200	90-8512	12 V/22 Amps	8.3/32	210/95
	**90-8154	12 V/22 Amps	8.3/32	225/102
	90-8596	24 V/11 Amps	8.3/32	210/95
	90-8516	110/1/60/6.6	8.3/32	275/125
	90-8515	230/1/50/3.3	8.3/32	275/125

*Membrane elements are sold separately

**Shorter vessel option

Spares and Consumables

Part No.	Description	Part No.	Description
85-0050	Pump Oil	90-2512	Membrane O-Ring Kit
33-0117	5 micron Filter	40-0241	Salinity Probe
33-0311	Carbon Flush Filter	85-0102	Cleaning Kit
33-3000	Membrane Element LWM 145	85-0103	Preservation Kit
33-3001	**Membrane Element LWM 200	70-6181	Kit, Pump, Routine Service
33-3002	Membrane Element LWM 200	99-1990	Digital Handheld TDS Meter
90-0005	Filter Housing O-Ring	70-0036	Belt, Models 145
99-6881	Filter Wrench	70-0168	Belt, Models 200
70-6181	HP Pump Service Kit		

To maintain peak performance always use genuine Parker Village Marine replacement parts. We reserve the right to change our specifications or standards without notice.

The Little Wonder

The Little Wonder (LWM) is the compact and reliable solution for boaters with limited power and space options. Its simple installation and easy operation provides all the water you need in any part of the open sea.

Max Production:
8 Gal (30 Lit) / hour*

Benefits

- DC low power consumption.
- Simple configuration and installation.
- Small & lightweight - weighs only 69 pounds.
- No-fail service



Photograph courtesy of Hunter Marine

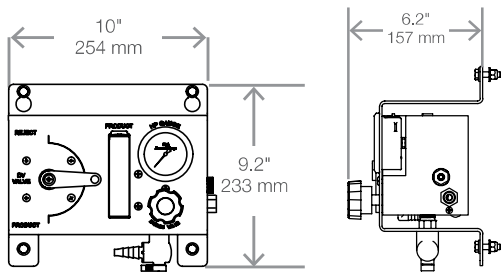
*Highest capacity model (LWM-200)



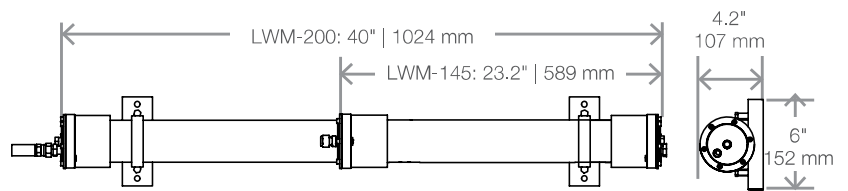
Little Wonder (LWM) system

Little Wonder - Specifications | Dimensions

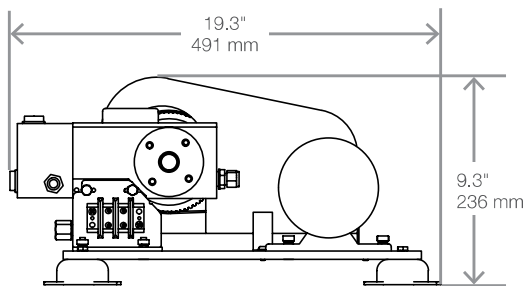
Model Number	Power Volts/Phase/Hertz/Amps	Per Hour	Weight
LWM-145	12VDC / 13	6 gal / 22 Lit	62 lbs / 28 kg
LWM-200	12VDC / 17 110VAC 60Hz / 3.3	8 gal / 30 Lit	69 lbs / 31 kg



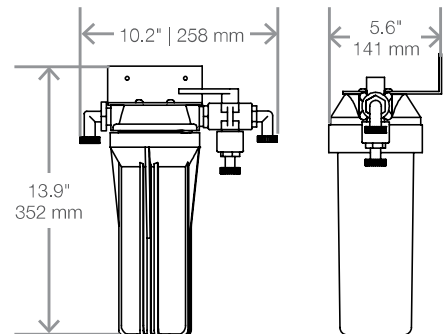
System Manifold



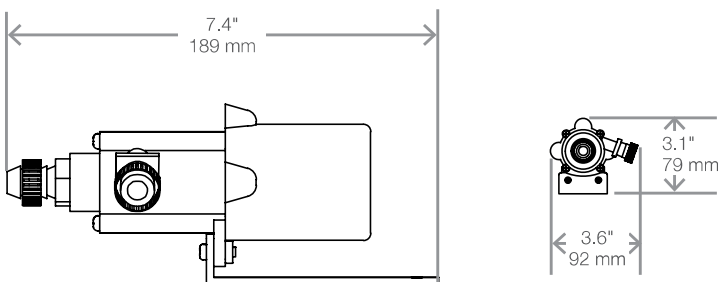
Membrane Assembly



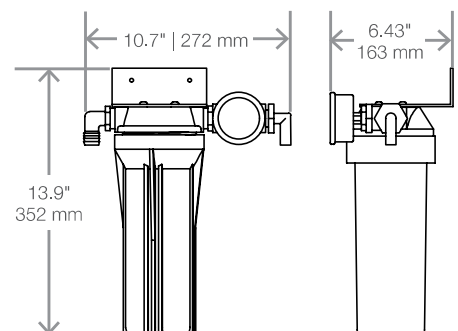
High Pressure Pump



Fresh Water Flush



Booster Pump



Pre-Filter